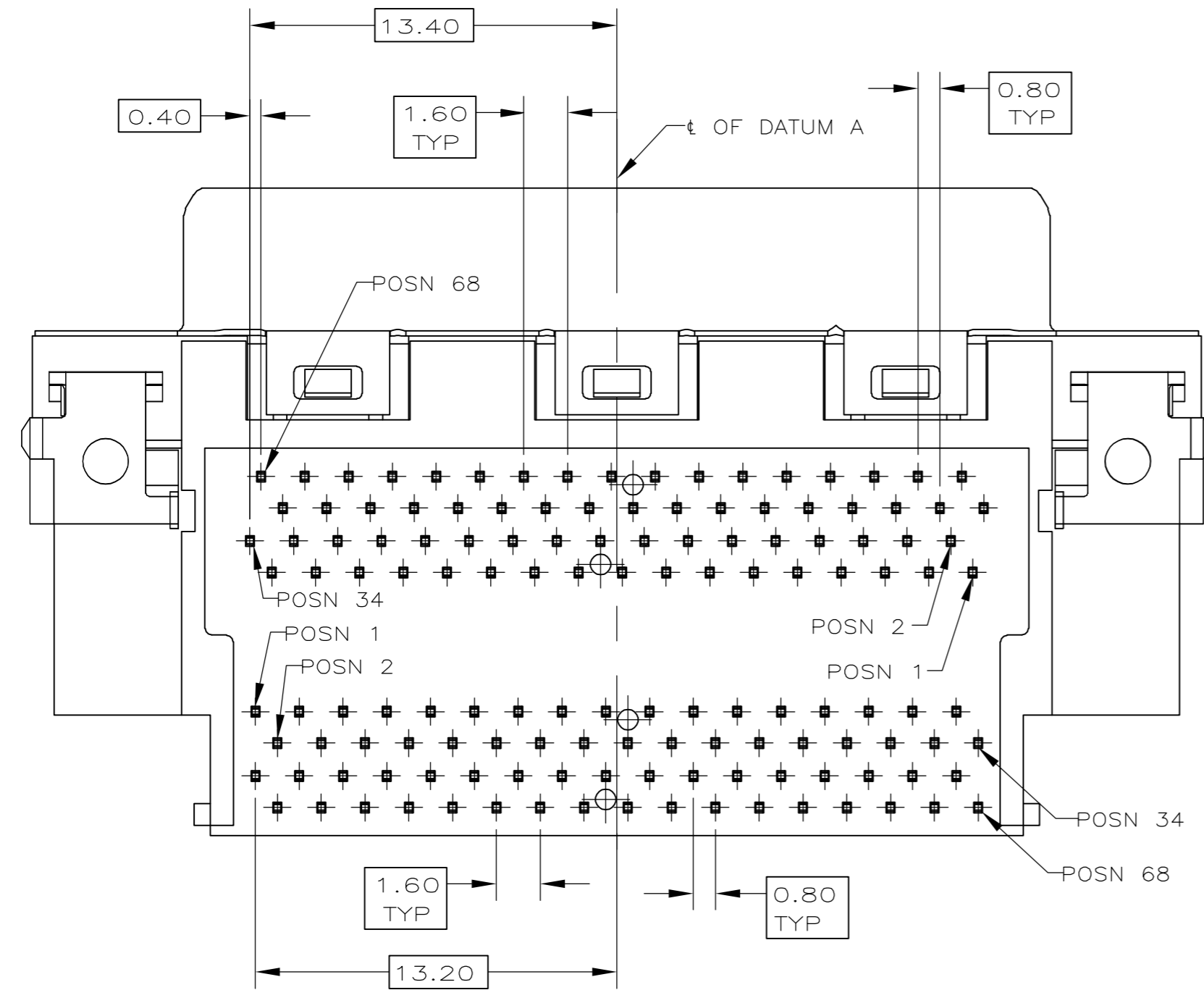
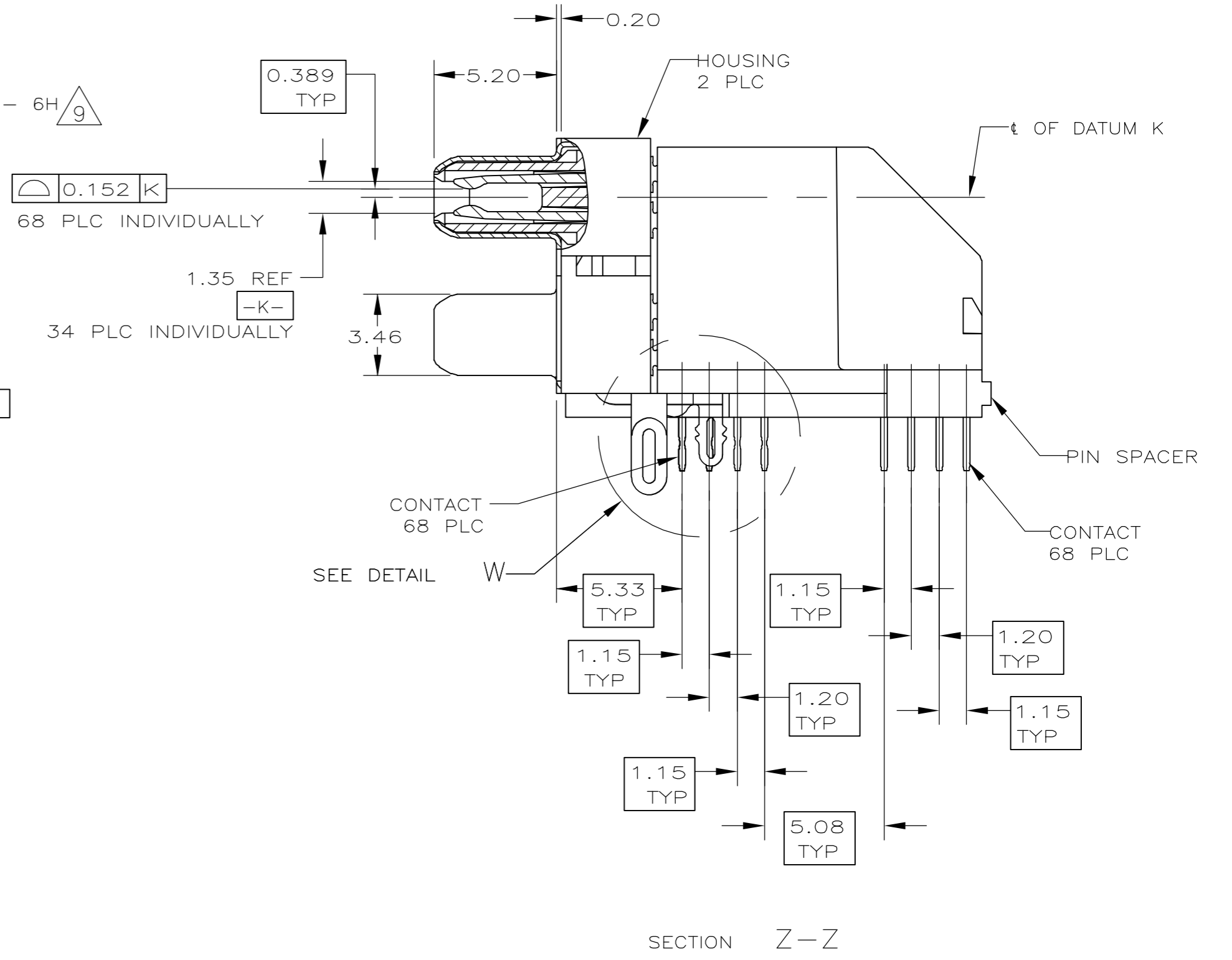
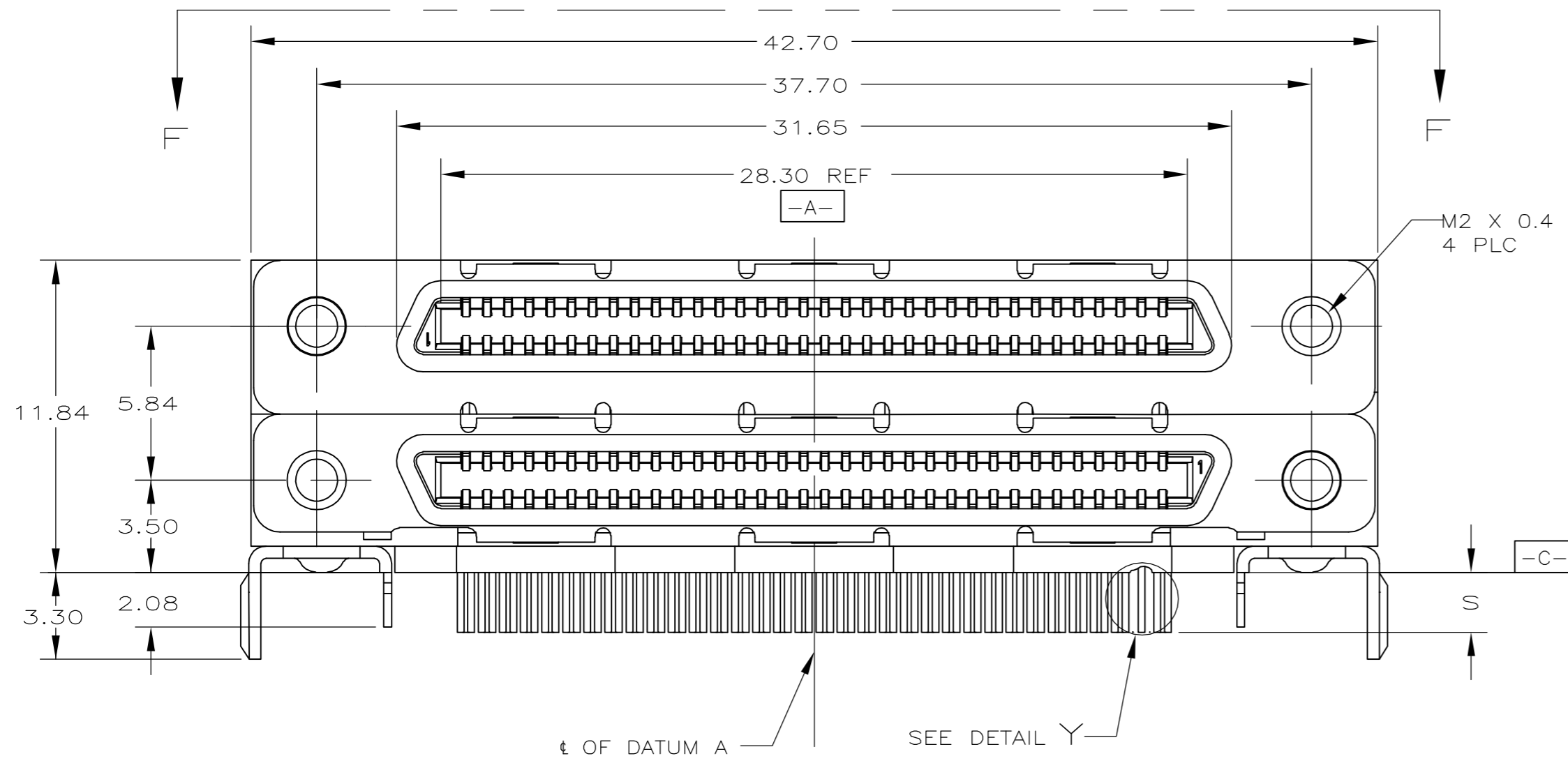


THIS DRAWING IS UNPUBLISHED. RELEASED FOR PUBLICATION
 © COPYRIGHT BY TYCO ELECTRONICS CORPORATION. ALL RIGHTS RESERVED.

LOC		DIST		REVISIONS			
P	LTR	DESCRIPTION	DATE	DWN	APVD		
GP	00	S	REVISED PER ECO-07-004221	30MAR07	JDP	EDB	

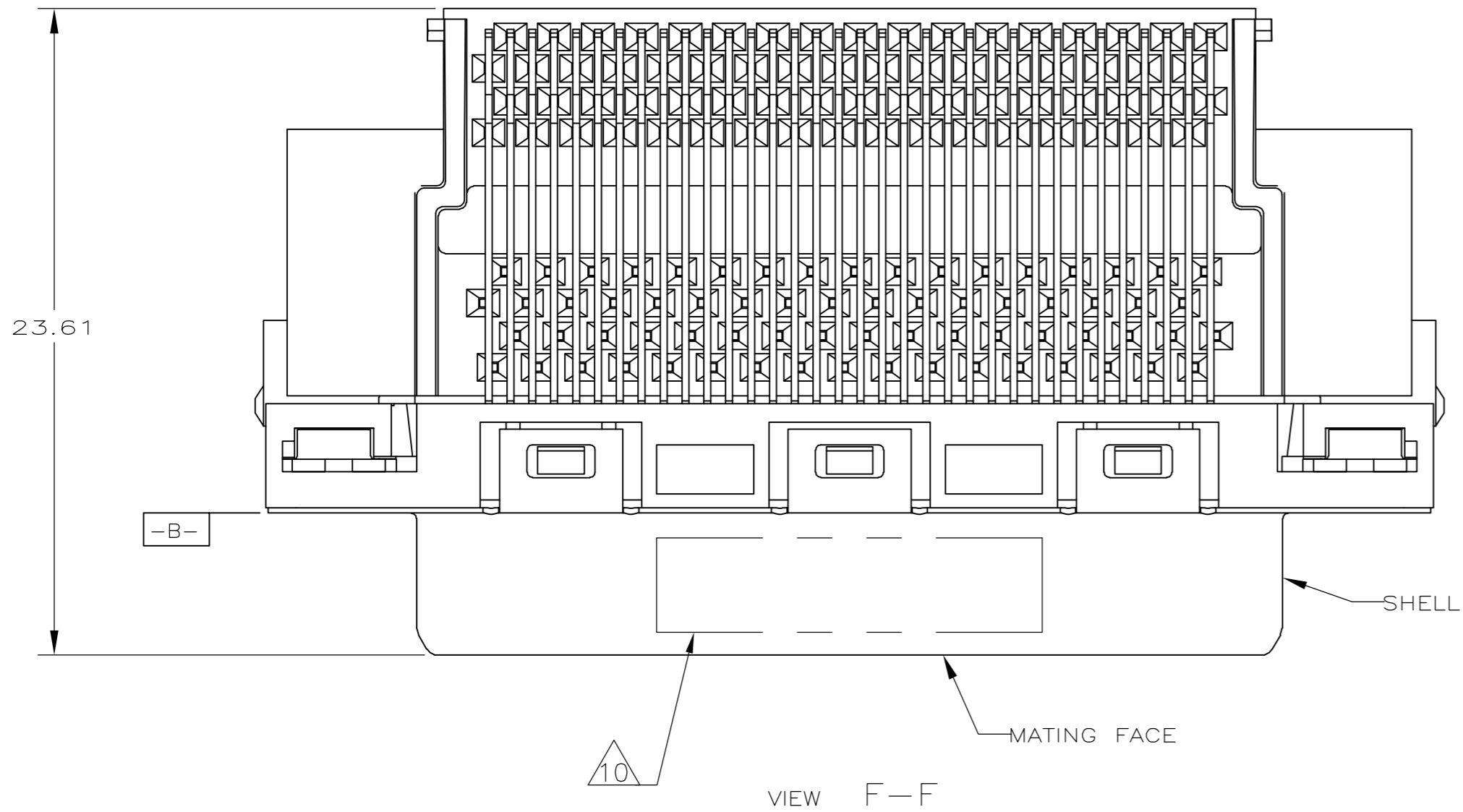


REMARKS	3	3.55	787962-2
	8	2.27	787962-1
	S		PART NUMBER

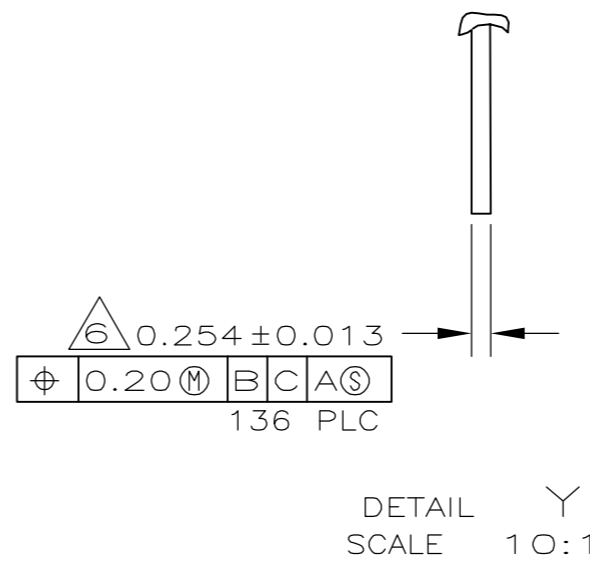
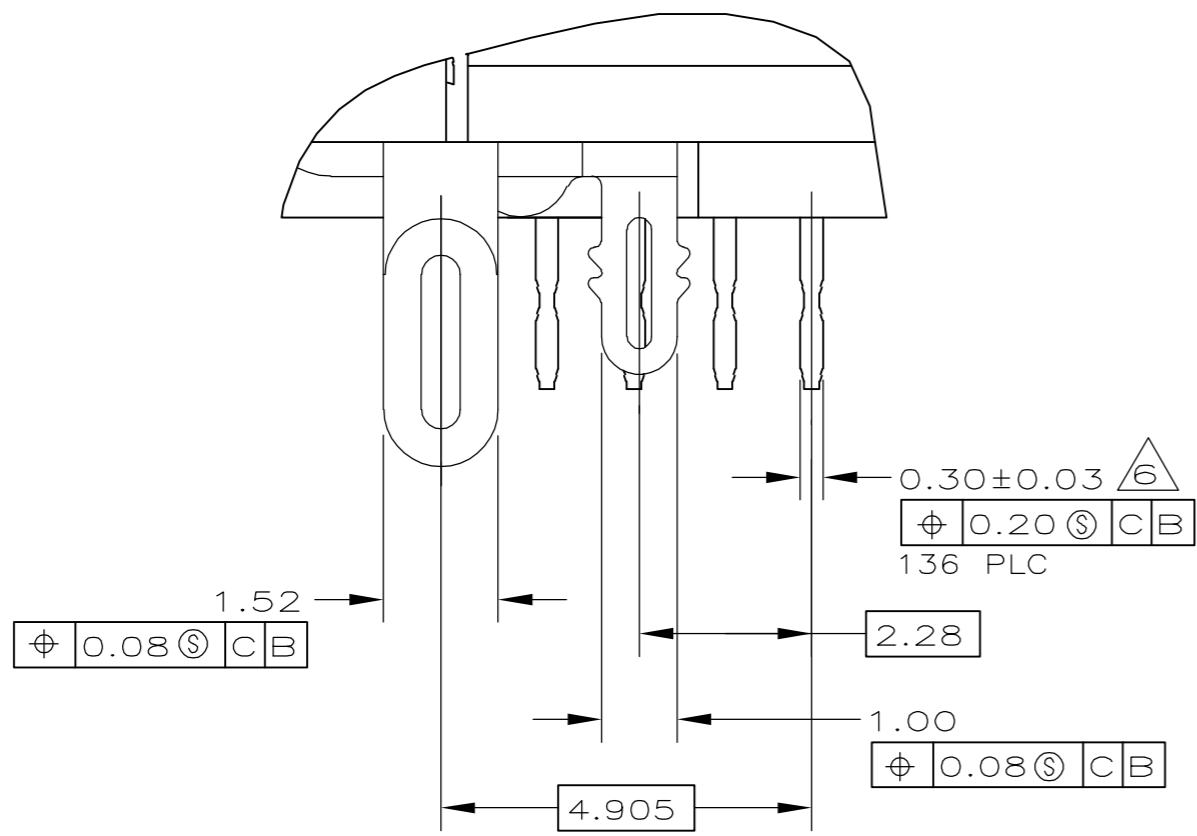
THIS DRAWING IS A CONTROLLED DOCUMENT.		DWN T.SHUEY 09MAR05	Tyco Electronics Corporation	
DIMENSIONS: mm		CHK J.GERACE 09MAR05	Harrisburg, PA 17105-3608	
TOLERANCES UNLESS OTHERWISE SPECIFIED:		APVD M.WALMSLEY 09MAR05	NAME	
0 PLC ± -	1 PLC ± -	PRODUCT SPEC	108-1471-1	
2 PLC ± 0.13	3 PLC ± -	APPLICATION SPEC	114-6057	
4 PLC ± -	ANGLES ± 1°	WEIGHT	-	
MATERIAL 1	FINISH 2	SIZE A2	CAGE CODE 00779	DRAWING NO C=787962
CUSTOMER DRAWING			SCALE 5:1	SHEET 1 of 3
			RESTRICTED TO	REV S

THIS DRAWING IS UNPUBLISHED. RELEASED FOR PUBLICATION
© COPYRIGHT BY TYCO ELECTRONICS CORPORATION. ALL RIGHTS RESERVED.

Loc		DIST		REVISIONS			
GP	00	P	LTR	DESCRIPTION	DATE	DWN	APVD
		-		SEE SHEET 1	-	-	-



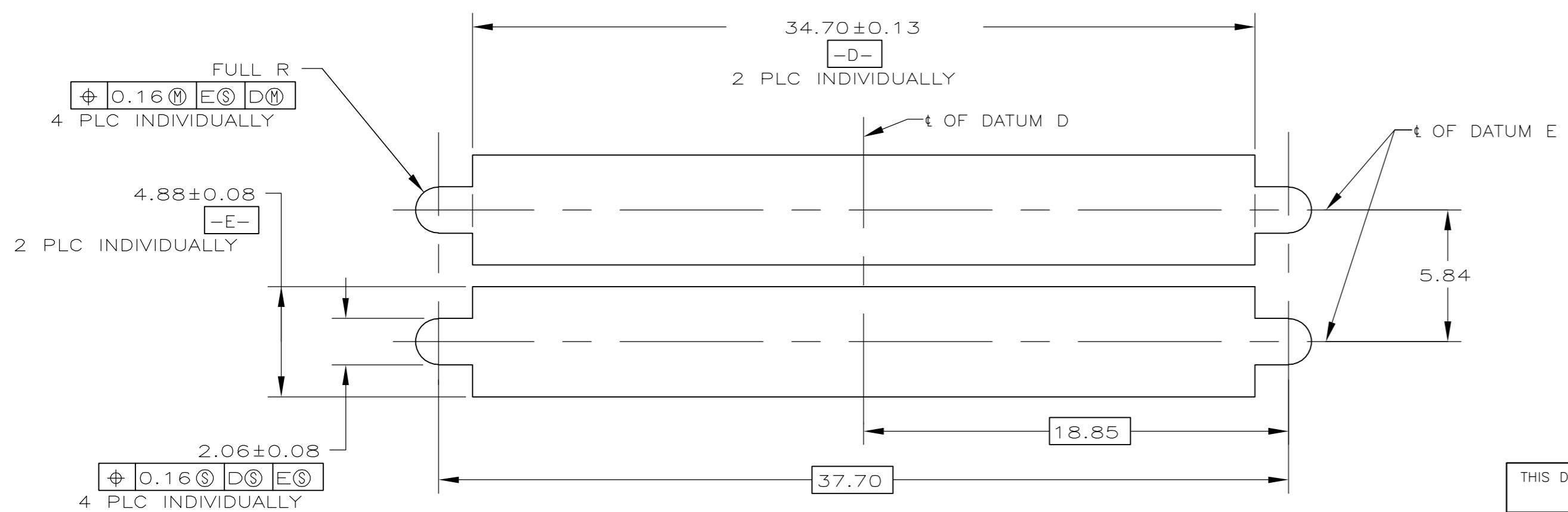
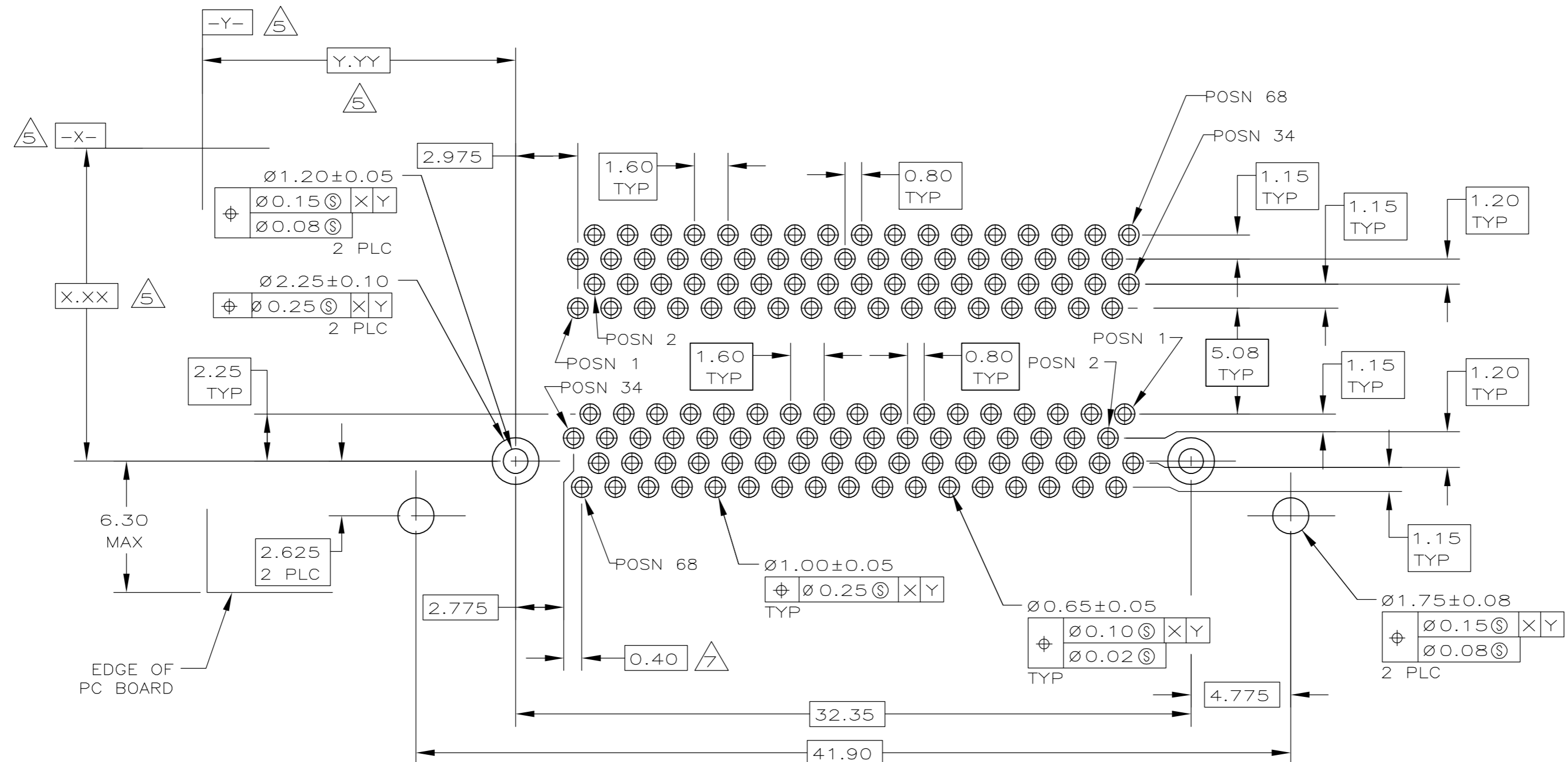
- 1 MOLDED PARTS: THERMOPLASTIC, BLACK, UL 94V-0 RATED.
SHELL: CARBON STEEL.
CONTACTS: PHOSPHOR BRONZE.
BRACKETS: STEEL.
- 2 SHELL: 5.08µm MIN NICKEL OVER 2.54µm MIN COPPER.
CONTACTS: 0.76µm MIN GOLD ON MATING END, 3.75µm MIN TIN-LEAD ON SOLDER TAILS, BOTH OVER 1.27µm MIN NICKEL OVER ENTIRE CONTACT.
BRACKETS: TIN PLATED.
- 3 CONTACTS DESIGNED FOR USE ON 1.60±0.15 THICK PC BOARD WITH PLATED THRU MOUNTING HOLES.
- 4 RECEPTACLE ASSEMBLY DESIGNED FOR USE WITH 1.12±0.08 THICK PANEL.
- 5 DATUMS AND DIMENSIONS ESTABLISHED BY CUSTOMER.
- 6 POSITION TOLERANCE APPLIES AT CONTACT TIP ONLY.
- 7 OFFSET DIMENSION APPLIES TO LOWER FOOTPRINT ONLY.
- 8 CONTACTS DESIGNED FOR USE ON 2.35±0.15 THICK PC BOARD WITH PLATED THRU MOUNTING HOLES.
- 9 MAXIMUM TORQUE 0.45 N-M.
- 10 DATE CODE MARKED IN APPROXIMATE AREA SHOWN.



THIS DRAWING IS A CONTROLLED DOCUMENT.		DWN	09MAR05	tyco Electronics	Tyco Electronics Corporation Harrisburg, PA 17105-3608		
DIMENSIONS: mm		CHK	09MAR05		NAME		
TOLERANCES UNLESS OTHERWISE SPECIFIED:		APVD		RECEPTACLE ASSEMBLY, 68 POSITION, STACKED, RIGHT ANGLE, CHAMP 0.8mm			
0 PLC ± -		M.WALMSLEY		SIZE	CAGE CODE	DRAWING NO	RESTRICTED TO
1 PLC ± -		PRODUCT SPEC		A2	00779	C=787962	-
2 PLC ± 0.13		APPLICATION SPEC		SCALE	SHEET	REV	
3 PLC ± -		WEIGHT		5:1	2 of 3	S	
4 PLC ± -		MATERIAL		CUSTOMER DRAWING			
ANGLES ± 1°		FINISH					

THIS DRAWING IS UNPUBLISHED. RELEASED FOR PUBLICATION
 © COPYRIGHT BY TYCO ELECTRONICS CORPORATION. ALL RIGHTS RESERVED.

Loc	DIST	REVISIONS					
GP	00	P	LTR	DESCRIPTION	DATE	DWN	APVD
		-		SEE SHEET 1	-	-	-



THIS DRAWING IS A CONTROLLED DOCUMENT.		DWN	09MAR05	 Tyco Electronics Corporation Harrisburg, PA 17105-3608
DIMENSIONS: mm		CHK	09MAR05	
TOLERANCES UNLESS OTHERWISE SPECIFIED:		APVD	09MAR05	
0 PLC $\pm -$ 1 PLC $\pm -$ 2 PLC ± 0.13 3 PLC $\pm -$ 4 PLC $\pm -$ ANGLES $\pm 1^\circ$		NAME		
MATERIAL		PRODUCT SPEC		RECEPTACLE ASSEMBLY, 68 POSITION, STACKED, RIGHT ANGLE, CHAMP 0.8mm
FINISH		APPLICATION SPEC		RESTRICTED TO
		WEIGHT		SIZE
		CUSTOMER DRAWING		CAGE CODE
		SCALE 4:1		DRAWING NO
		SHEET 3 OF 3		REV S